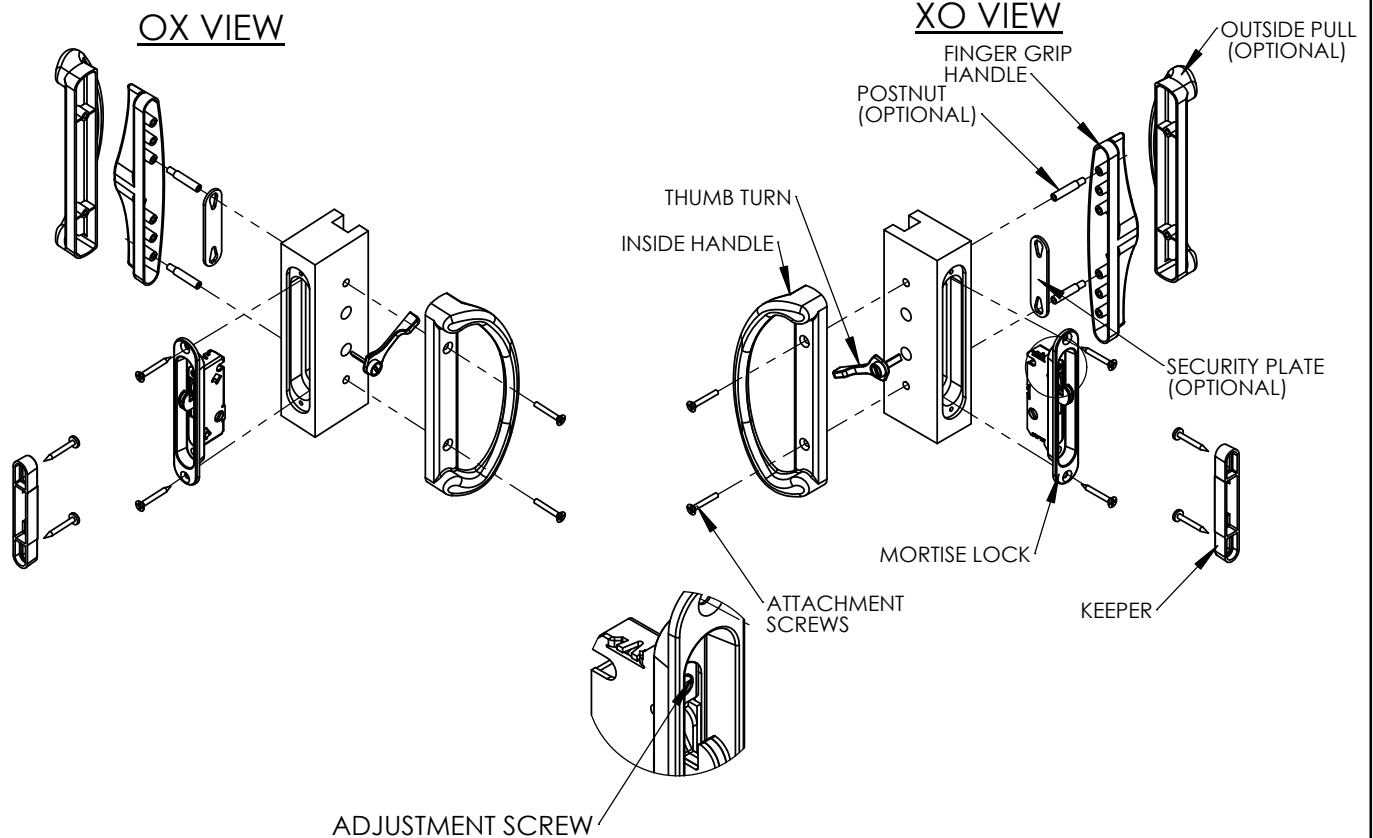


# 9300 SERIES INSTALLATION INSTRUCTION

## PARTS LIST

QTY	DESCRIPTION
1	Inside Handle
1	Outside Pull
1	Mortise Lock
1	Keeper



1. Determine the handing direction from the exploded view (XO or OX)
2. Make sure that the door rollers are adjusted so that the moving panel is square with the jamb.
3. Check that the hook of the Mortise Lock is extended (locked position) with the hook pointing up. Secure the lock in the door stile with the provided screws.
4. Insert the thumb turn lever into the hub of the mortise lock, as shown.
5. Insert postnuts onto outside pull (if supplied)
6. When finger grip pull is used, install security plate (optional)
7. Place the Inside Handle against the door while holding the thumb turn into the slotted hub of the mortise lock. Align the mounting holes of the Outside Pull with the inside handle and install the provided screws.
8. Install the keeper on the jamb with the provided screws. Adjust the keeper as low as possible for maximum engagement with the lock.
9. Close the door, operate the lock, and check that it latches properly. The sliding panel should have about 1/32" right-to-left play when latched. If necessary, adjust the play by turning the Adjustment Screw just above the lock hook -- CW to extend, CCW to retract. Repeat adjustment as necessary.

#M0059