



287 Freedhill Road
Hendersonville, TN 37075
(615) 924-6572

Title:

TRANSOM WINDOW

Series#:

5610 & 8010 Fix

Date:

04/20/06

By:

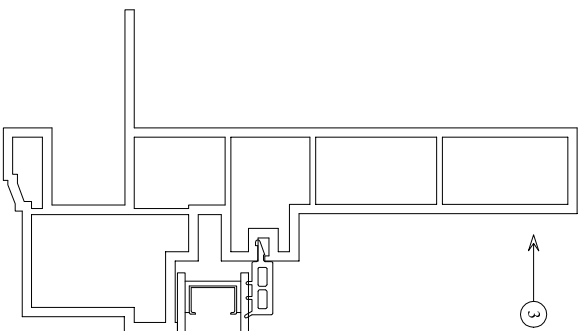
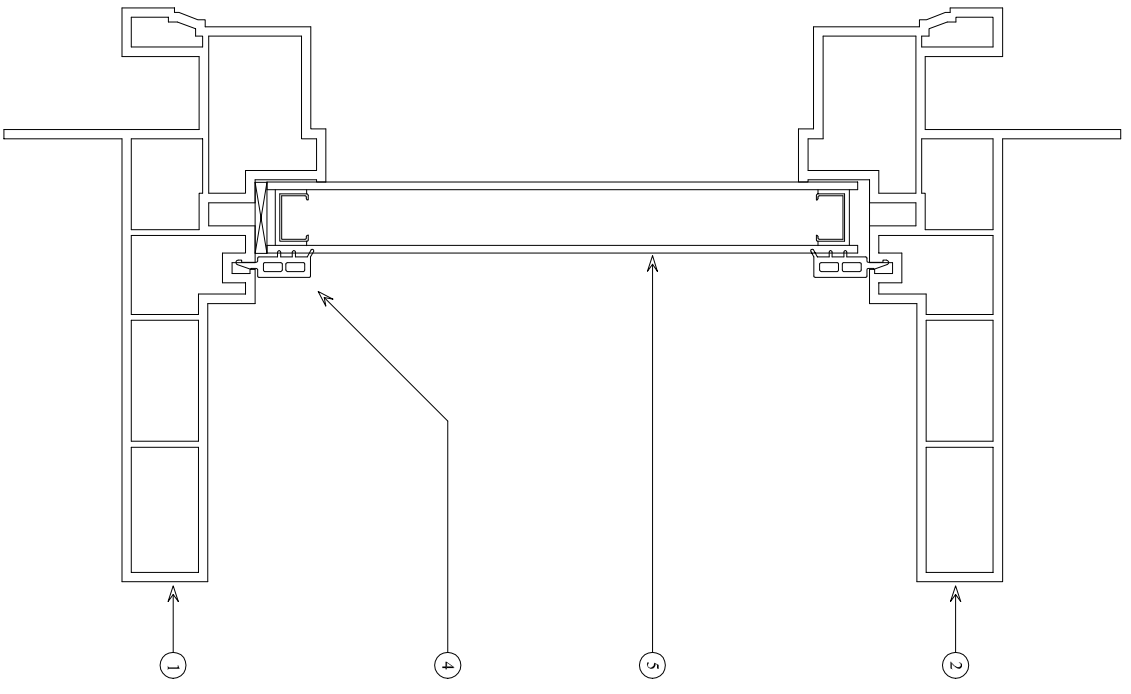
R. Graves

Size and Type:

Cross Section

Do Not Scale Drawing

Drawing#:



- 1. SILL M-403
- 2. HEAD M-403
- 3. JAMB M-403
- 4. GLAZING BEAD M-185
- 5. 3/4" INSULATING GLASS