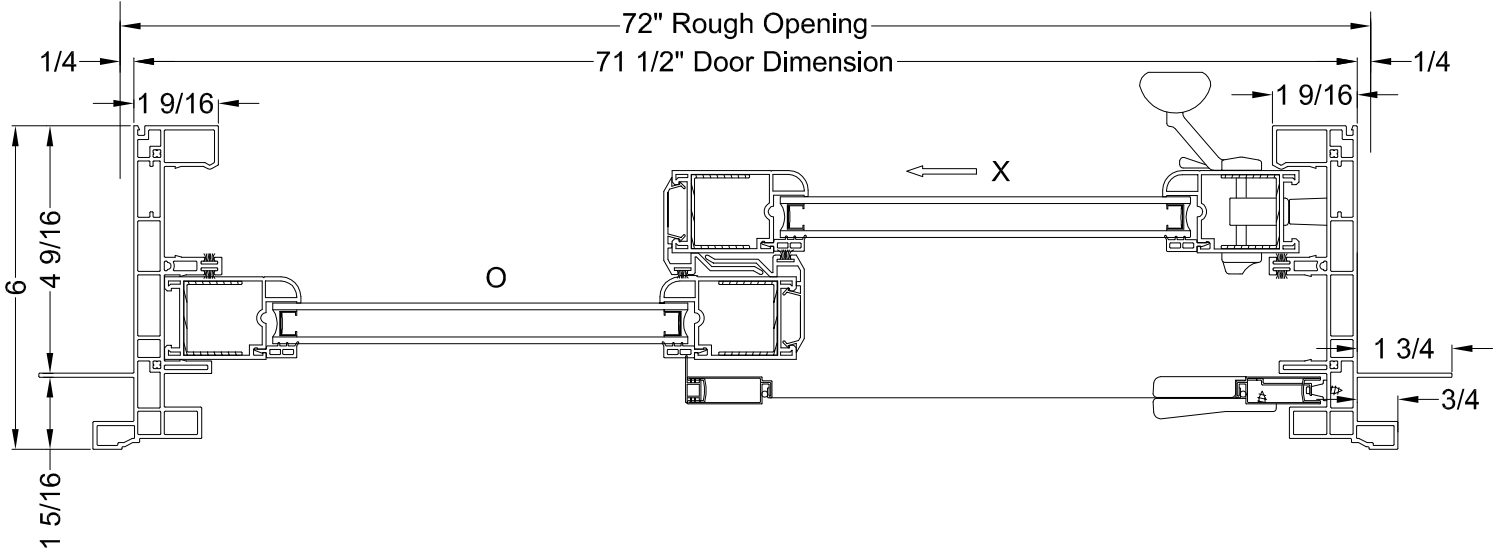


# MGM Industries, Inc.

## SERIES #8005 Sliding Glass Door

### 4 9/16" FULL VINYL JAMB DOOR



### SPECIFICATIONS

Size Tested: AAMA101/I.S.2 SGD-R20, 96" x 80"
Profiles: Main frame and sash components shall be constructed of extruded, high-impact-resistant and UV-stabilized, rigid polyvinyl chloride (PVC). Main frame shall be of multi-chambered design. Typical wall for extruded frame and sash shall be .062" or as indicated on the extrusion die drawings.
Fasteners: All screws and fastening devices shall be coated with Zinc or Cadmium.
Glass & Glazing: Overall 3/4" thick sealed insulating unit. Fixed and Moving Panels are wet set into silicone with perimeter glazing bead.
Weather-Stripping: All window gaps between main frame and sash members shall be weather-stripped to prevent air infiltration. Weather-strip shall be poly pile type with an integral polyethylene fin.
Finish: Members shall have an integral White, Tan or Earth-Tone color throughout the profile.
Hardware: All hardware components that come in contact with PVC shall be non-corrosive material.
Screens: All shall be half door type sufficient to cover the opening provided by the vent sash. Screen frames are 7/16" x 1 5/8" rolled formed aluminum. Screen fabric shall be 18x16 fiberglass mesh.

