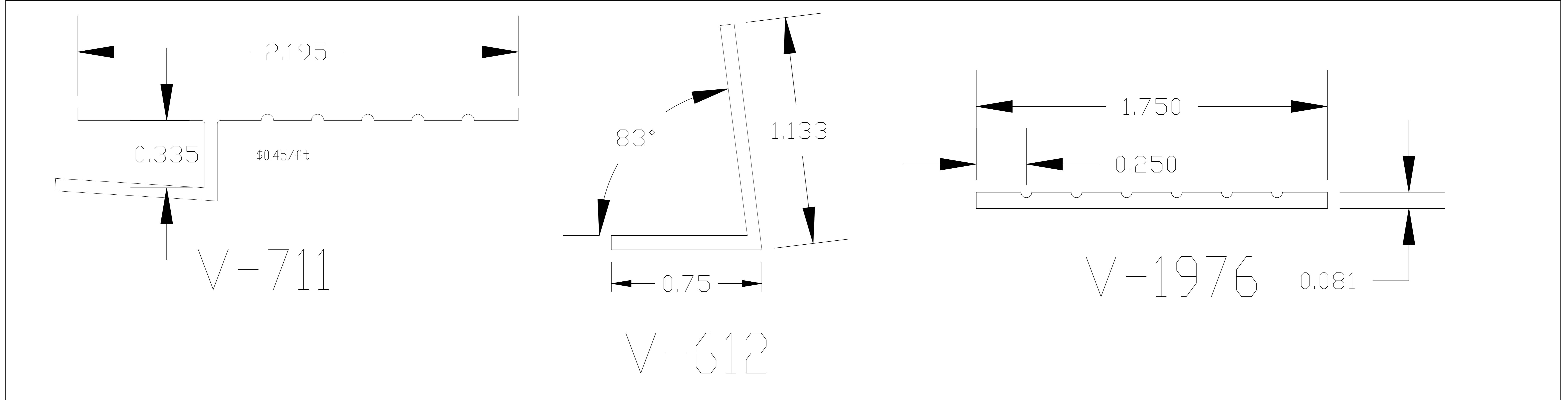
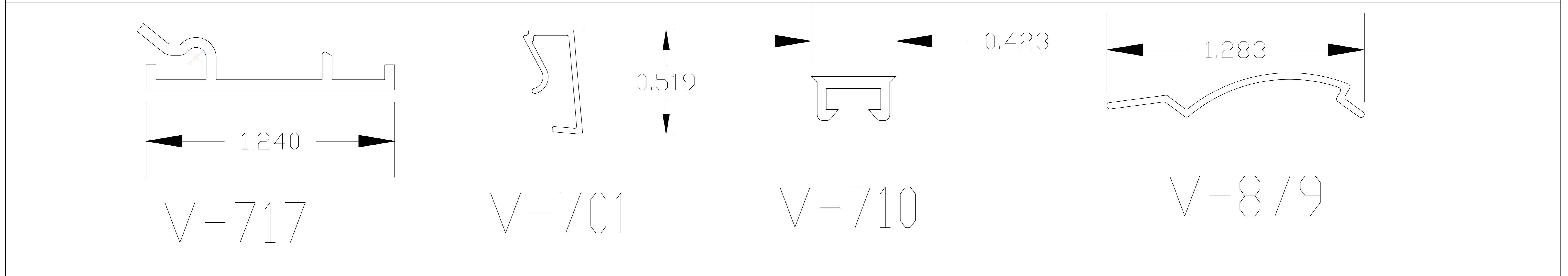
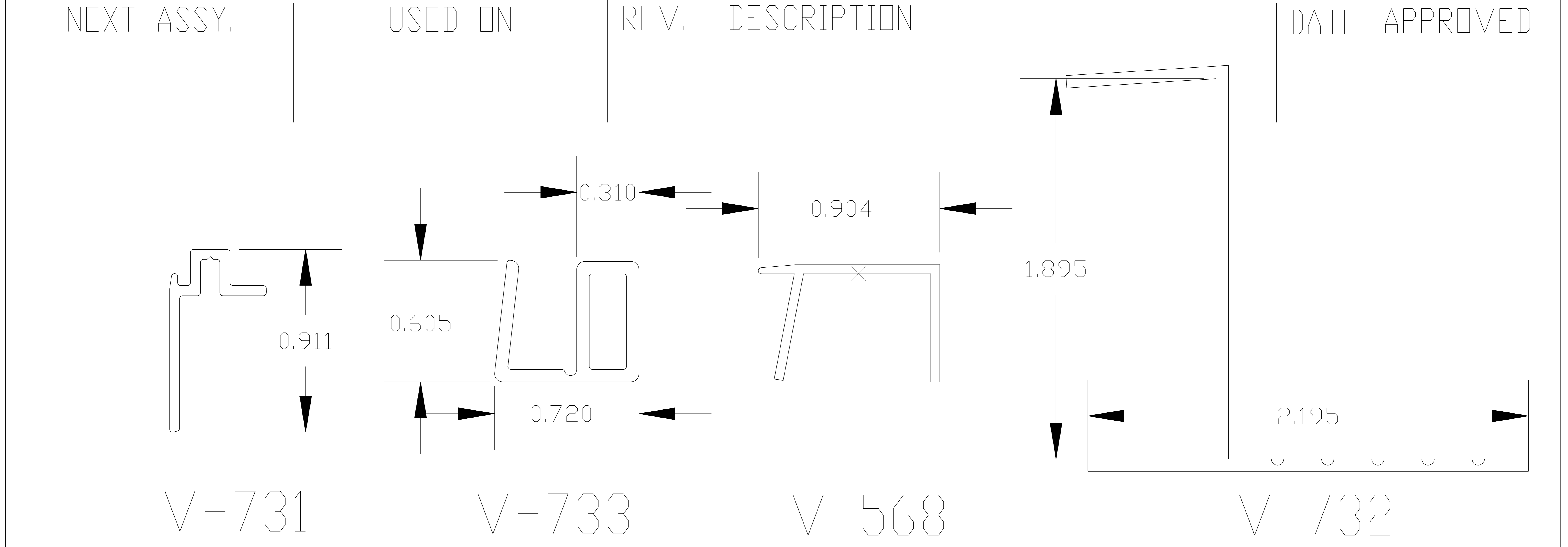


APPLICATION		REVISIONS			
NEXT ASSY.	USED ON	REV.	DESCRIPTION	DATE	APPROVED



V-568 J-Channel filler for 6010  
 V-612 Not used on MGM windows currently  
 V-701 Screen clip for 6010.  
 V-710 Mull clip for 4710 Casement.  
 V-711 Can be used to clip onto the brickmould of the 6011/6010 to extend the window exterior of the window unit. Used in replacement application  
 V-717 Sash stop for 6010, 8010, 8017  
 V-731 Sill adaptor for 4600  
 V-732 Can be used to clip on the inboard side of the 6011/6010 to extend the window interior of the window unit. Used for replacement application  
 V-733 18 foot lengths. can be used for hardie Board application for the Sill of 6010. Also can be used to make a 6011 single hung jamb depth equal to 3 1/4  
 V-879 Balance cover for 5010  
 V-1976 Jamb extention Clip.

MGM INDUSTRIES 287 FREEHILL ROAD HENDERSONVILLE, TN 37075 ph 615-824-6572 FAX 615-822-8581	DESCRIPTION:		DWG. NO.	REV.
	DATE	WEIGHT	AREA	BY: ABG

APPLICATION

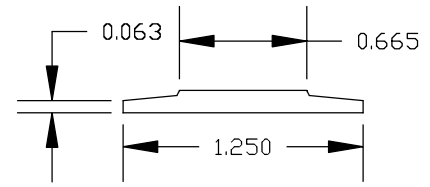
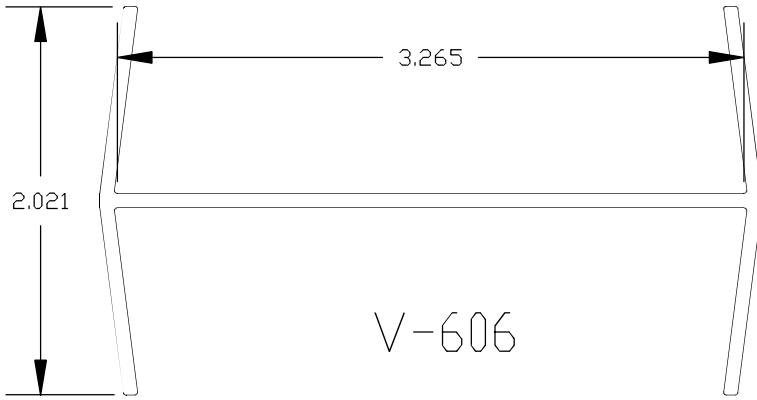
REVISIONS

NEXT ASSY.

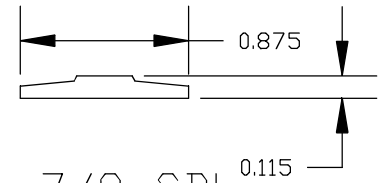
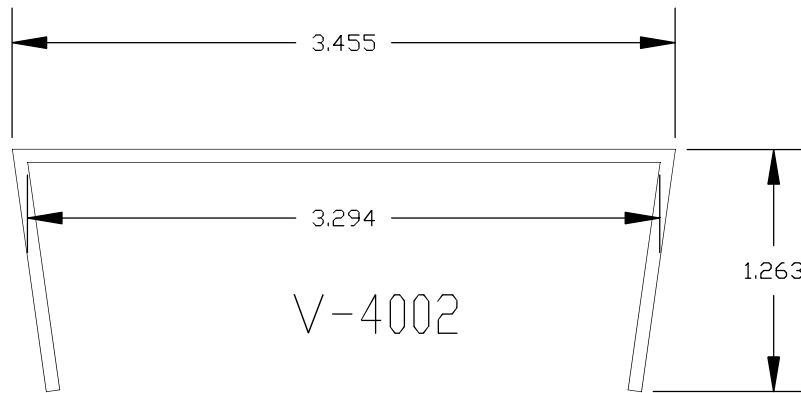
USED ON

REV. DESCRIPTION

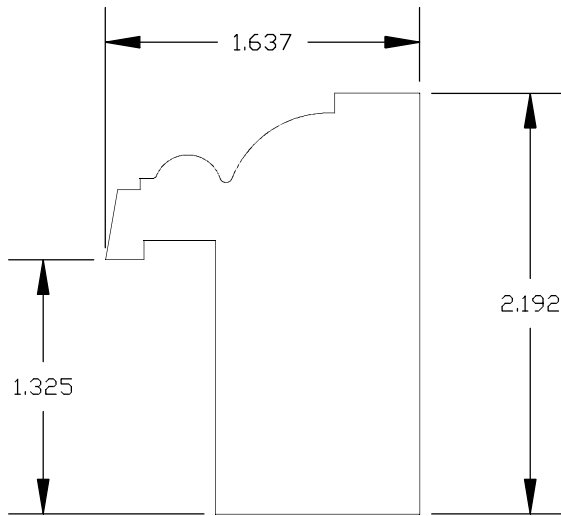
DATE APPROVED



1 1/4 SDL  
(For 6010 series)



7/8 SDL  
(For 6010 series)



Special Note: This is a cellular PVC

MGM INDUSTRIES 287 FREEHILL ROAD HENDERSONVILLE, TN 37075 ph 615-824-6572 FAX 615-822-0581	DESCRIPTION:	DWG. NO.	
	DATE	WEIGHT	AREA
		BY: ABG	